

LCT ADAPTER TYPE A (A840)

LCT ADAPTER TYPE A (A840)

PARTS CATALOG

This catalog gives the numbers and names of parts on this machine.

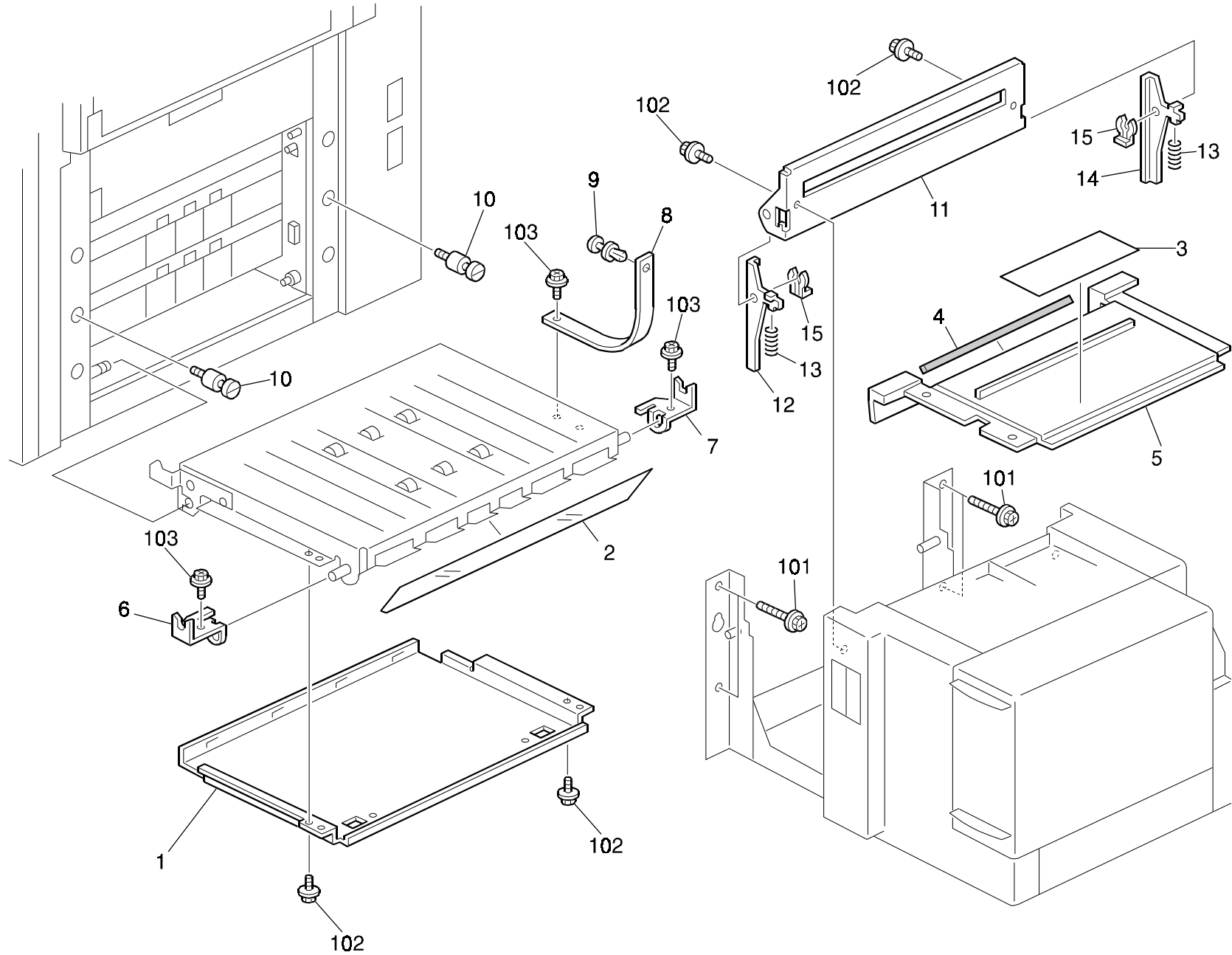
CONTENTS

CONTENTS (Continued)

1.LCT ADAPTER TYPE A (A840)	2
PARTS INDEX.....	5

January ,30 ' 2001

1.LCT ADAPTER TYPE A (A840)



1.LCT ADAPTER TYPE A (A840)

Index No.	Part No.	Description	Q'ty Per Assembly
1	A840 2568	Transport Cover	1
2	A840 2562	Lower Guide	1
3	A683 2900	Decal - Paper Handling	1
4	A257 2651	Shielding Seal	1
5	A840 2604	LCT Tray Cover	1
6	A840 2565	Front Positioning Bracket	1
7	A840 2566	Rear Positioning Bracket	1
8	G697 1264	Stopper - Transport Guide Plate	1
9	A048 2838	Nylon Rivet	1
10	AA14 3757	Positioning Pin	2
11	A840 2593	Stay	1
12	A840 2596	Front Arm	1
13	AA06 0809	Spring	2
14	A840 2597	Rear Arm	1
15	5447 2681	Snap Ring	2

Index No.	Part No.	Description	Q'ty Per Assembly
101	0451 4016B	Tapping Screw - M4-16	
102	0451 4008B	Philips Tapping Screw - M4x8	
103	0451 3006B	Tapping Screw - M3x6	

Parts Index

Parts Index

Part No.	Description	Page and Index No.
A840 2562	Lower Guide	3- 2
A840 2565	Front Positioning Bracket	3- 6
A840 2566	Rear Positioning Bracket	3- 7
A840 2568	Transport Cover	3- 1
A840 2593	Stay	3- 11
A840 2596	Front Arm	3- 12
A840 2597	Rear Arm	3- 14
A840 2604	LCT Tray Cover	3- 5

Part No.	Description	Page and Index No.
AA06 0809	Spring	3- 13
AA14 3757	Positioning Pin	3- 10
G697 1264	Stopper - Transport Guide Plate	3- 8

Part No.	Description	Page and Index No.
A048 2838	Nylon Rivet	3- 9
A257 2651	Shielding Seal	3- 4
A683 2900	Decal - Paper Handling	3- 3

Part No.	Description	Page and Index No.
5447 2681	Snap Ring	3- 15

Part No.	Description	Page and Index No.
0451 3006B	Tapping Screw - M3x6	3-103
0451 4008B	Phillips Tapping Screw - M4x8	3-102
0451 4016B	Tapping Screw - M4-16	3-101

Part No.	Description	Page and Index No.
----------	-------------	--------------------